



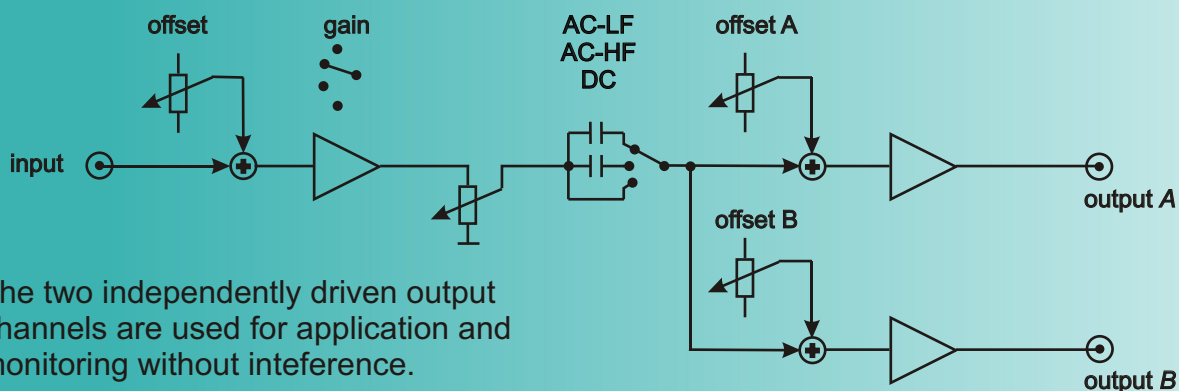
PDA-S

PDA-S

The *PDA-S* is a universal, sensitive transimpedance amplifier for photo diodes.

This versatile amplifier is very robust against oscillations and can be directly connected to various types of photo diodes by a shielded cable without further adaption. Photo diodes with positive, negative or without reverse voltage can be used.

Principle of operation



The two independently driven output channels are used for application and monitoring without interference.

Technical Data

Housing dimensions:	84 mm x 55 mm x 24 mm
Over-all dimensions:	112 mm x 55 mm x 37mm
Amplification switchable:	33 / 100 / 330 / 1,000 / 3,300 / 10,000 V/mA
Amplification fine:	10% ... 100%
Lower cut-off frequency switchable:	DC / 10Hz / 300Hz
Upper cut-off frequency:	30kHz ... 1MHz
Supply voltage:	+12 V DC (AC adaptor included 230V or 115V)

Technical specifications are subject to change without notice.

Development, Manufacturing and Distribution



03/2006

TEM Messtechnik GmbH
Grosser Hillen 38
30559 Hannover
Germany

tel. +49-511-51089630
fax +49-511-51089638
info@tem-messtechnik.de

www.tem-messtechnik.de

